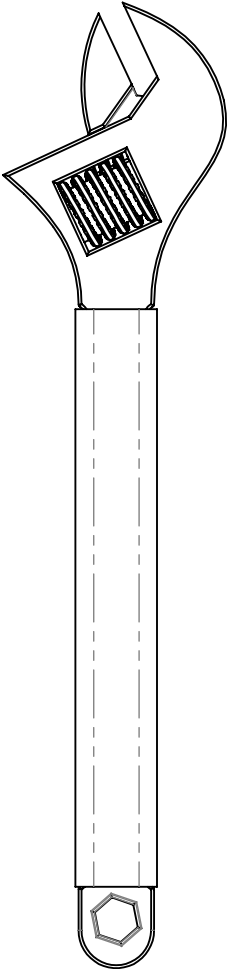
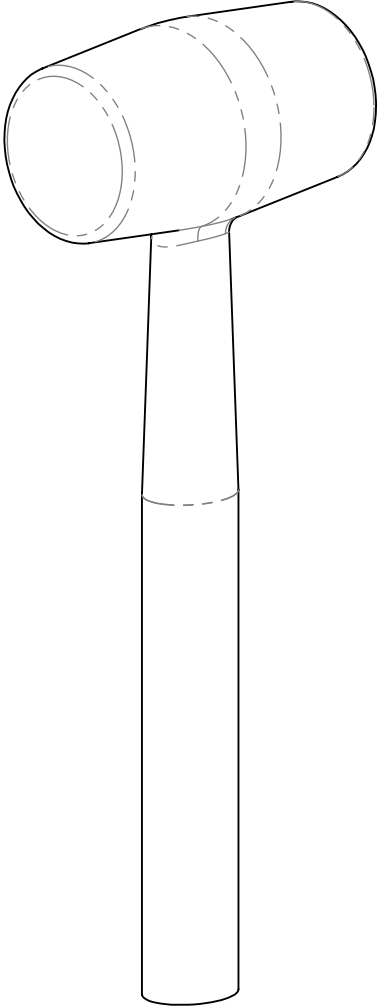
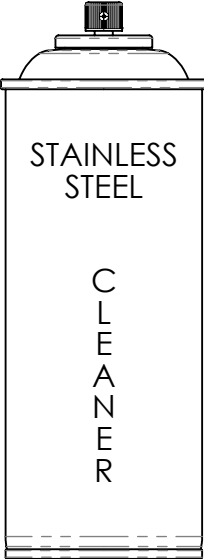
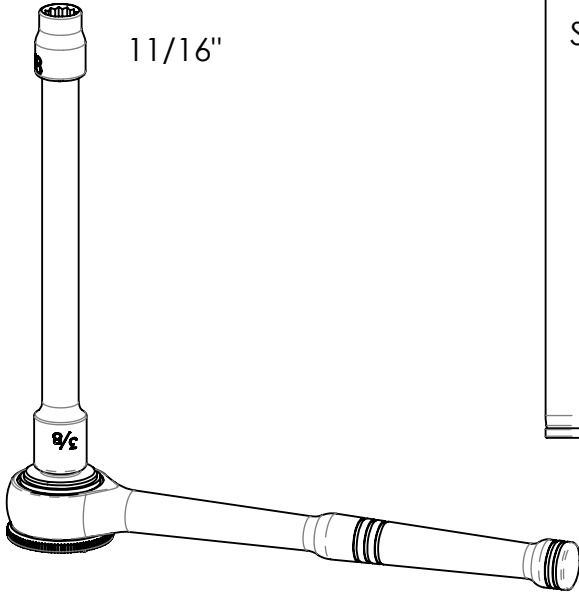
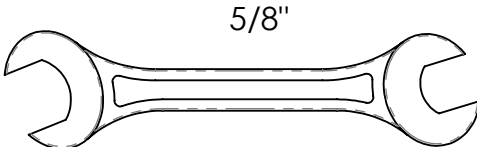


<u>Item Number</u>	<u>Quantity</u>	<u>Description</u>
1	1	Base
2	4	Caster
3	1	Tray
4	1	Lower Shelf
5	2	Rear Cradle
6	4	Bolt
7	4	Acorn Nut
8	4	Small Washer
9	4	Adjuster
10	1	Front Cradle
11	2	Locking Pin
12	1	Left Shelf
13	1	Right Shelf
14	4	Large Washer
15	1	Caster Tool

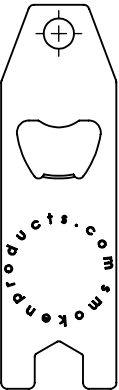
Tools



optional



rubber mallet (mandatory)



caster tool

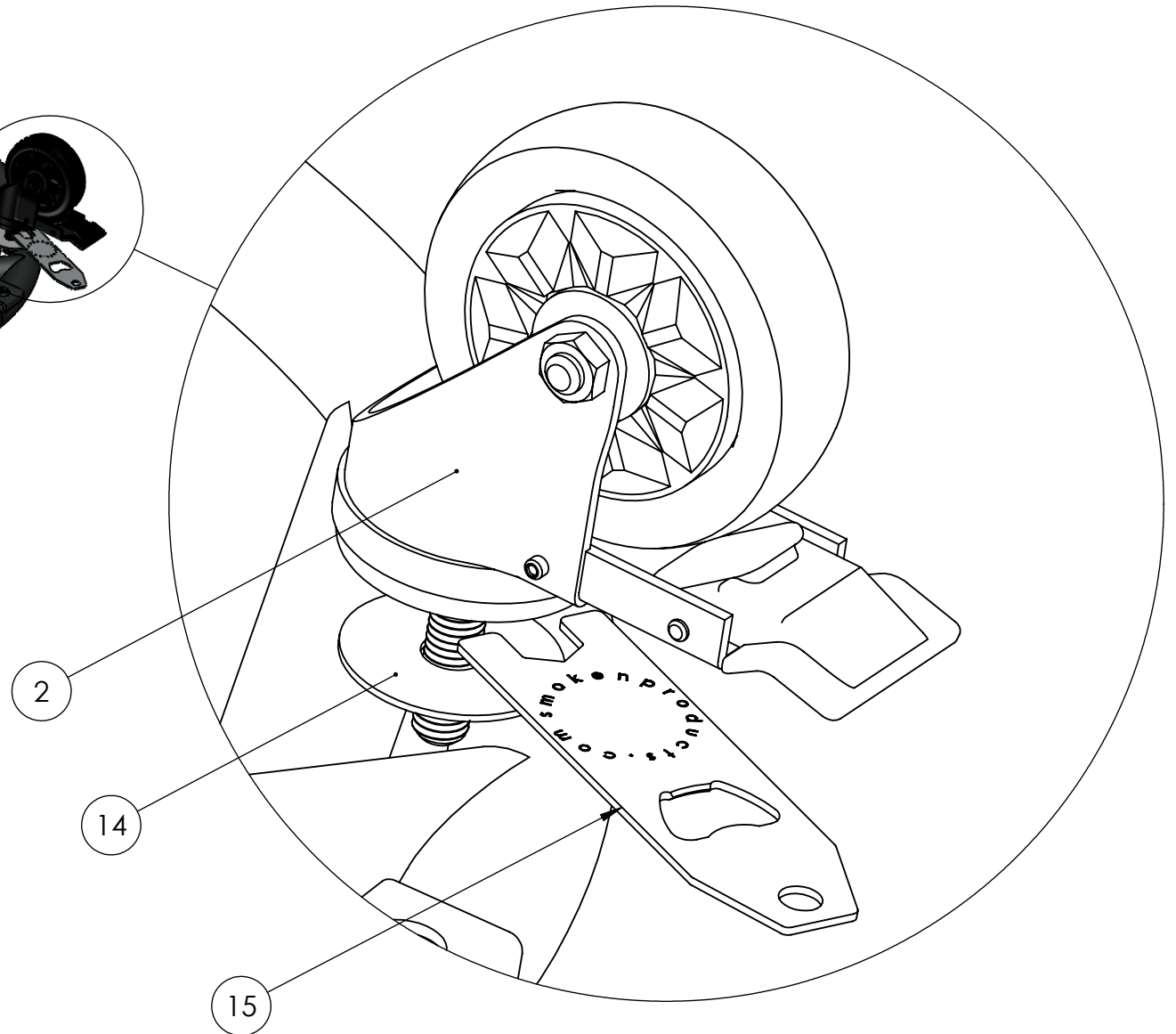
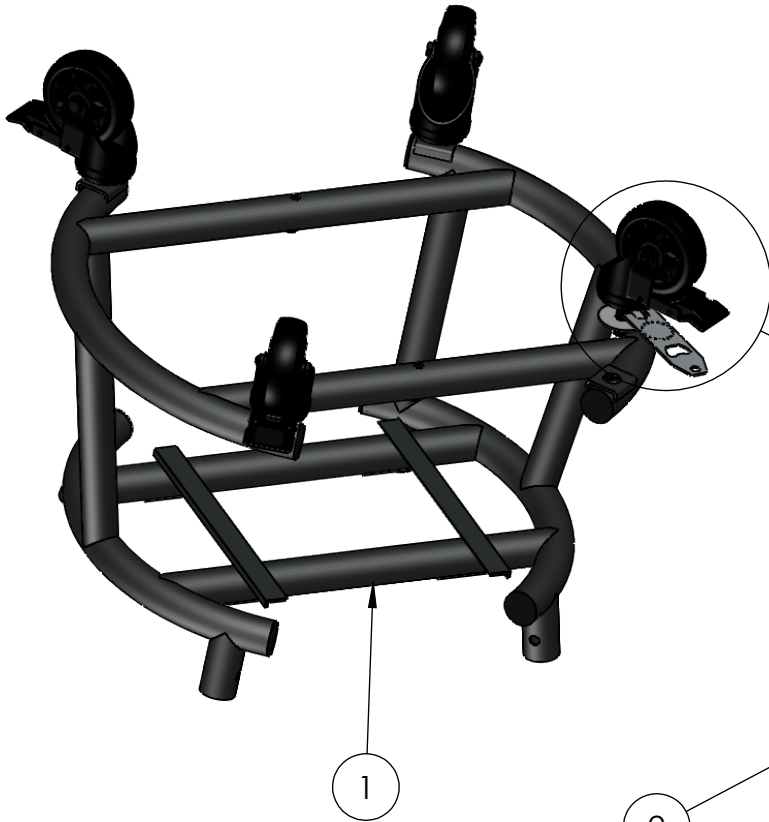
bolts are 11/16" & acorn nuts are 5/8"

CAREFUL not mar "Cuna" finish with tools

1

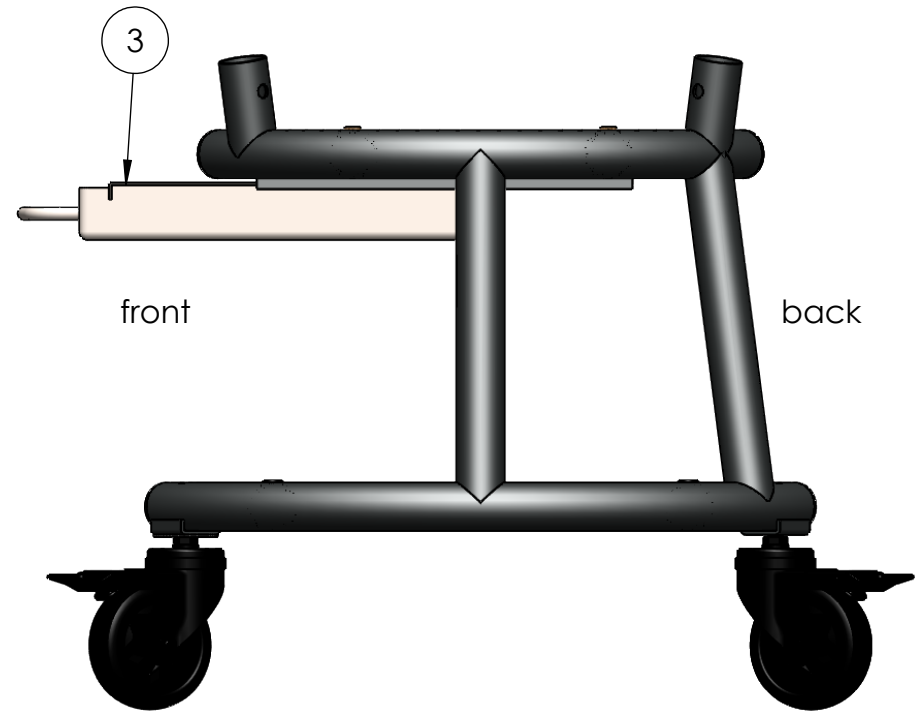
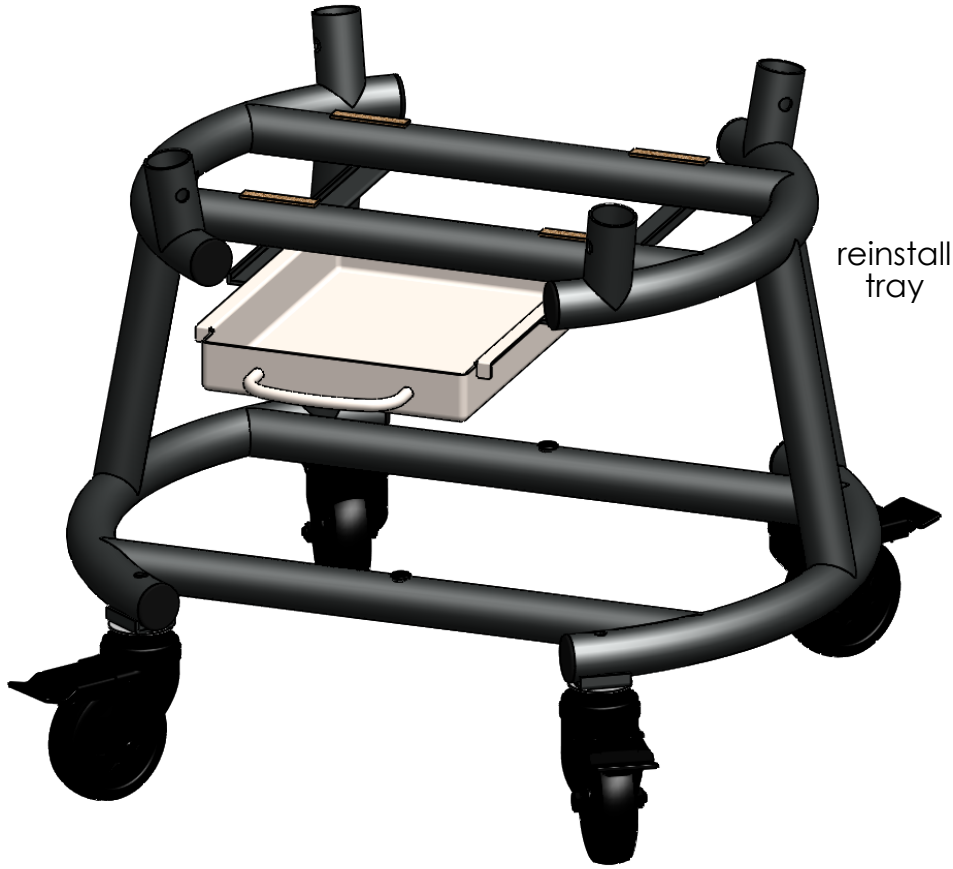
remove tray & lower shelf

install casters with base upside down as shown

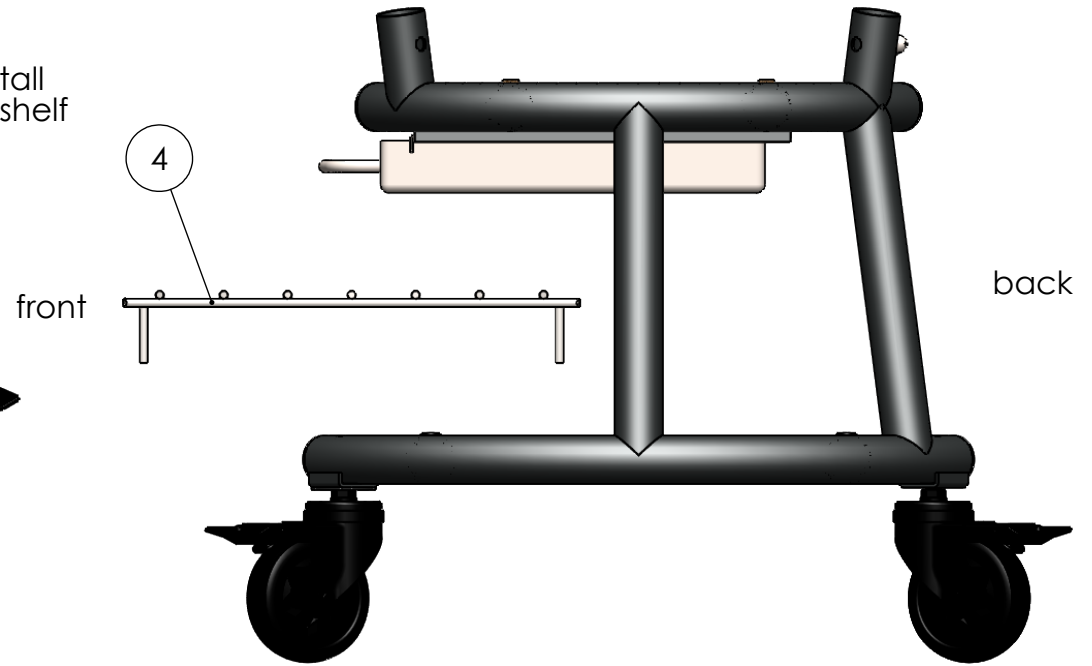
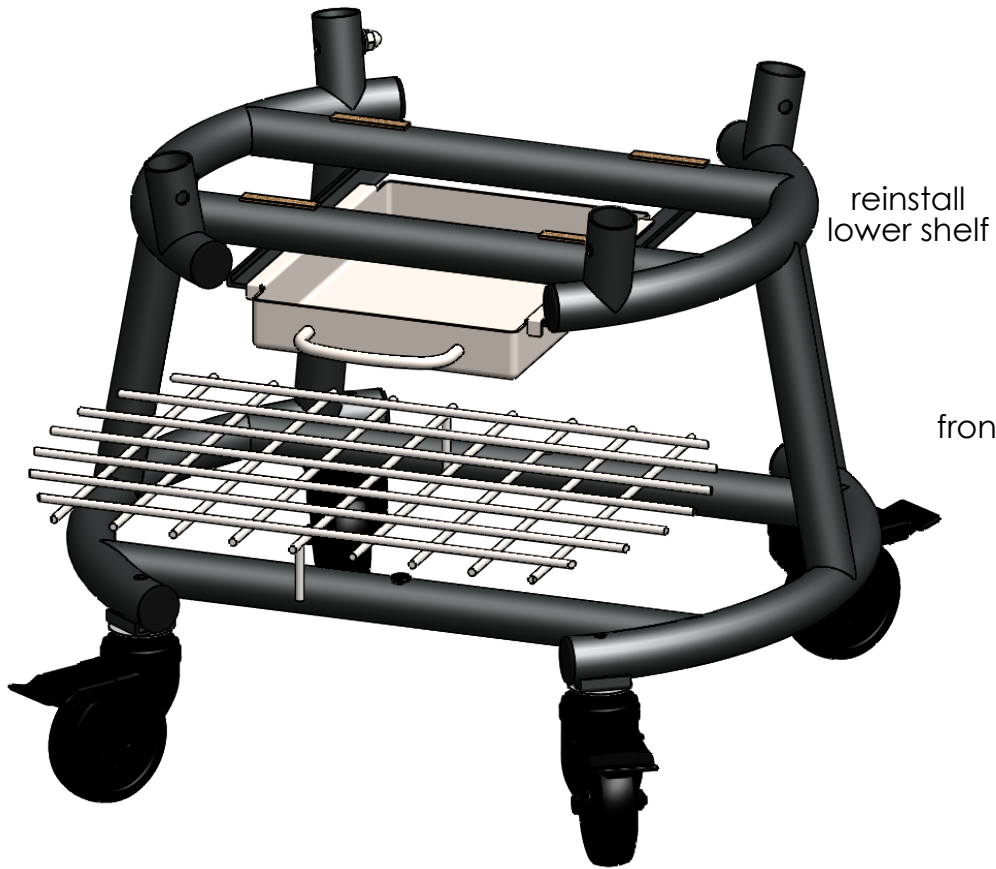


lock casters during
entire assembly process

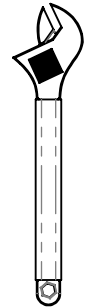
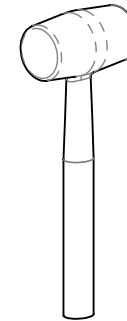
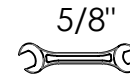
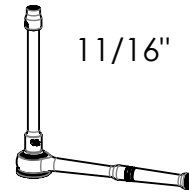
2



3

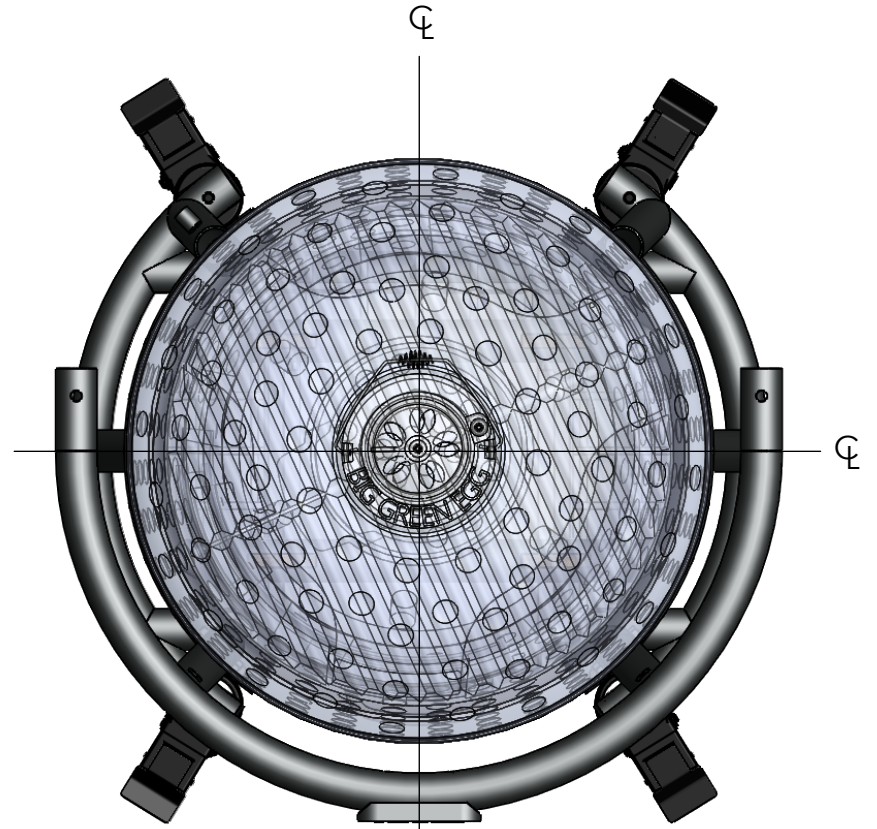
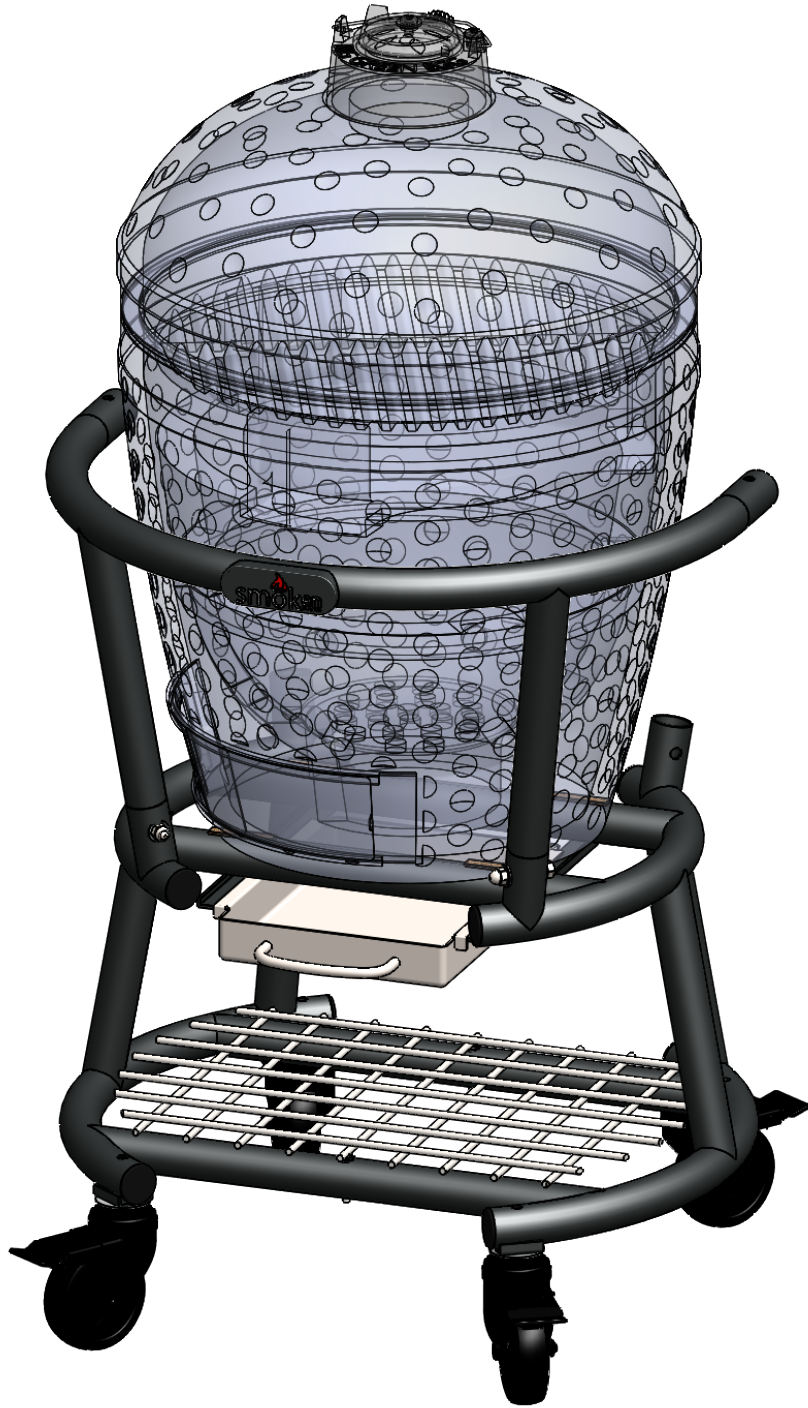


4

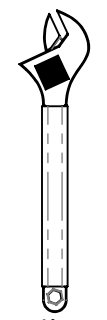
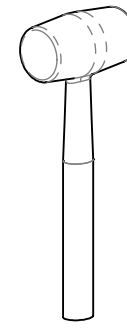
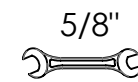
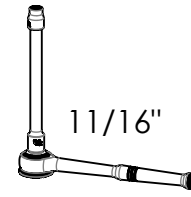
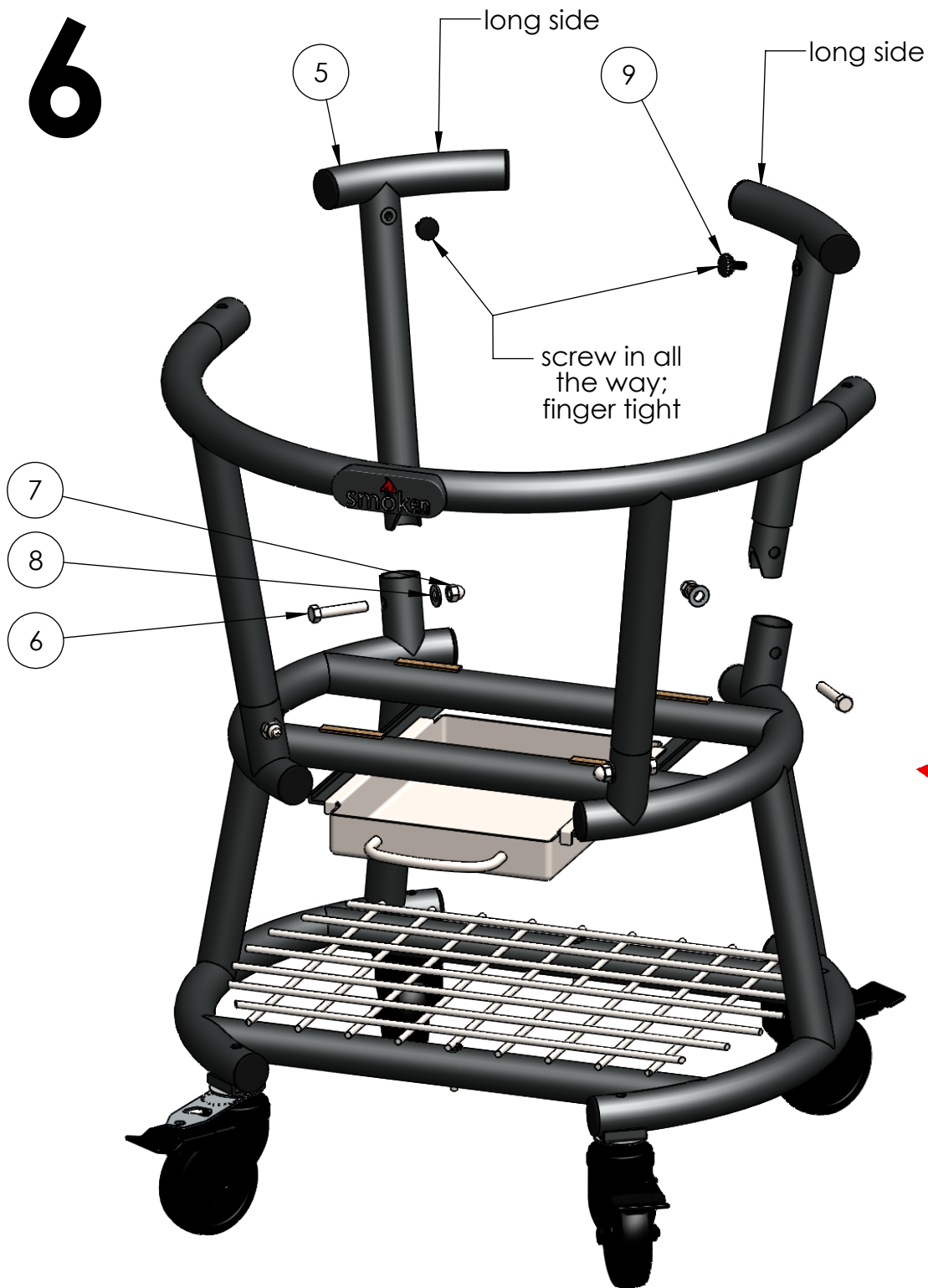


optional

5



6



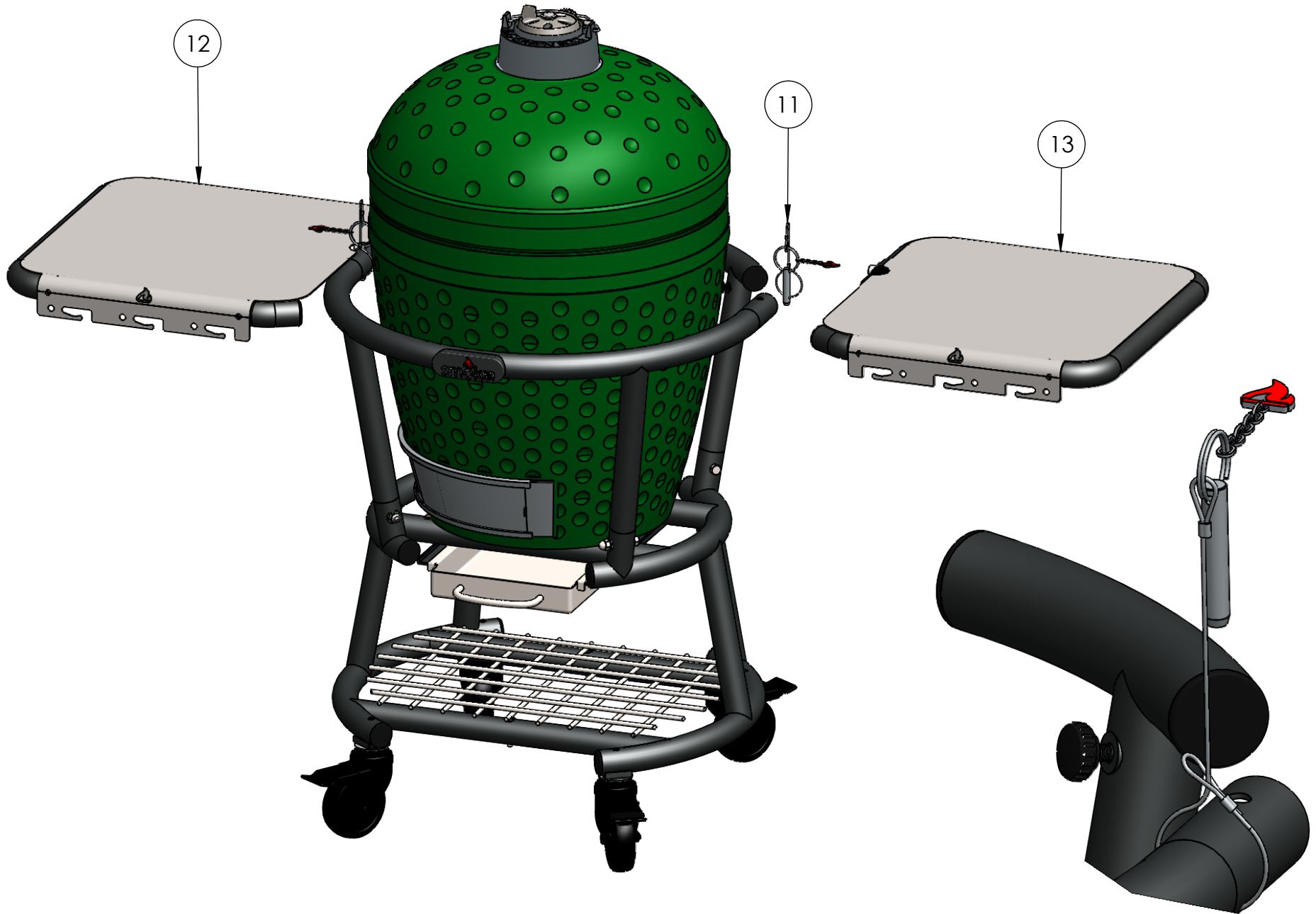
optional



4x adjust until Green Egg is secured in cradle, you may need to remove completely for larger eggs

Green Egg not shown for clarity

7



8

